

# **AIR**MATIC®

**WE'LL HANDLE IT.**



# ***martin***®

## **TRANSFER POINT PRODUCTS**

**Material Escape Solutions**

**AIRMATIC**

284 Three Tun Rd. Malvern, PA 19355

215.333.5600

[infocenter@airmatic.com](mailto:infocenter@airmatic.com)

[airmatic.com](http://airmatic.com)

## **PROBLEM**

### **FUGITIVE MATERIALS**

Escape of materials from conveyors is an everyday occurrence. It occurs in the forms of spillage and leakage from transfer points or carryback that adheres to the belt past the discharge point and drops off along the conveyor return. It also occurs in the form of airborne dust that is carried off and settles on structures, equipment and the ground.

Carryback falls under the conveyor, spillage falls to the sides and dust falls on everything, including systems and structures above the conveyor. Left unchecked, fugitive materials represent an ever-increasing drain on a conveyor's efficiency, productivity and profitability. Materials lost from the conveyor system cost the plant in a number of ways.

- Reduced operating efficiency
- Increased conveyor maintenance costs
- Reduced plant safety
- Lowered employee morale
- Diminished product quality
- Heightened scrutiny from outside agencies

## **SOLVED**

### **THE MARTIN SOLUTION**

Through proper design and maintenance, bulk material handling operations can run cleanly, safely and efficiently.

By preventing spillage and airborne dust, Martin Engineering's Transfer Point Products can help reduce equipment damage, reduce cleanup, control maintenance expenses and improve the overall plant safety.

Martin Engineering is more than an equipment supplier. We are problem solvers dedicated to improving transfer point performance.

## A NEW STANDARD FOR CONVEYOR DESIGN

Martin Engineering has created a new standard in conveyor architecture. The EVO<sup>®</sup> System rethinks the problems of traditional conveyor design from the ground up and places more emphasis on safety, control of fugitive material and ease of service.

Designed to provide a clean, safe and productive system, the EVO Conveyor Architecture is cost competitive and flexible enough to be easily upgradeable to solve operation-specific problems. The EVO products can be used in part or as a whole system; in conjunction with or as a complement to traditional C-Channel conveyor structure and offers a number of benefits over conventional conveyor design.

- Reduce Dust and Spillage
- Improve Safety
- Reduce Cleanup Headaches
- Improve Regulatory Compliance
- Improve Serviceability
- Simple Accessibility
- Upgradeable and Cost Efficient

### KEY COMPONENTS

#### 1. BELT SUPPORT

For an effective, minimum-spillage transfer point, it is essential that the belt's line of travel be stabilized with proper belt support in the load zone.

#### 2. SEALING SYSTEM

A crucial requirement in any transfer point designed for reduced spillage and high efficiency is an effective sealing system at the edge of the belt.

#### 3. BELT TRACKING

Belt tracking must be controlled before spillage can be eliminated.

#### 4. TAIL PULLEY PROTECTION

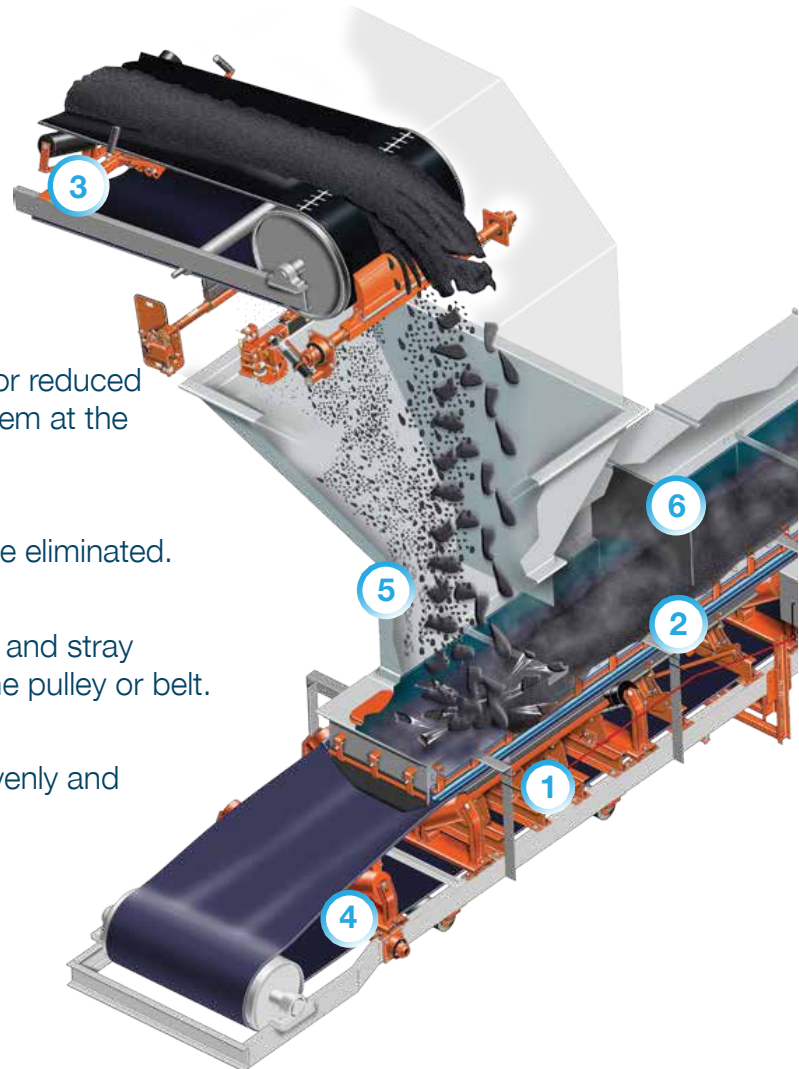
Pulley protection plows are installed to remove lumps and stray components from the belt before they can damage the pulley or belt.

#### 5. CHUTE STRUCTURE

Bulk materials should flow through a transfer chute evenly and consistently.

#### 6. DUST MANAGEMENT

Airborne dust is a common problem in bulk-materials handling operations. When both material spillage and airborne dust are controlled, the operation will be cleaner, safer and more productive.







### EVO COMBINATION CRADLE

Installed under a belt conveyor loading zone, the EVO Combination Cradles absorb the force of falling material to prevent damage to the belt and structure. These medium-duty impact cradles stabilize the belt line to prevent material escape.

The center-roll option reduces friction and requires less conveyor drive horsepower than bars. Roller kit available for use with multiple units.

### EVO UPGRADE:

Track-mounted to simplify installation and maintenance.



**Roller kits available for installing two units back to back.**



**Bar Option**



**Roller Option**

### MARTIN IMPACT CRADLE

Installed under a belt conveyor loading zone, the MARTIN Impact Cradle absorbs the force of falling material to prevent damage to the belt and structure. Wing supports adjust to match any standard trough angle. An additional five degrees of fine tuning adjustment enables the cradle to match the idler profiles of different idler manufacturers. Rugged bars are composed of a top layer of low friction UHMW and a lower layer of energy-absorbing polyurethane.



**Light Duty**



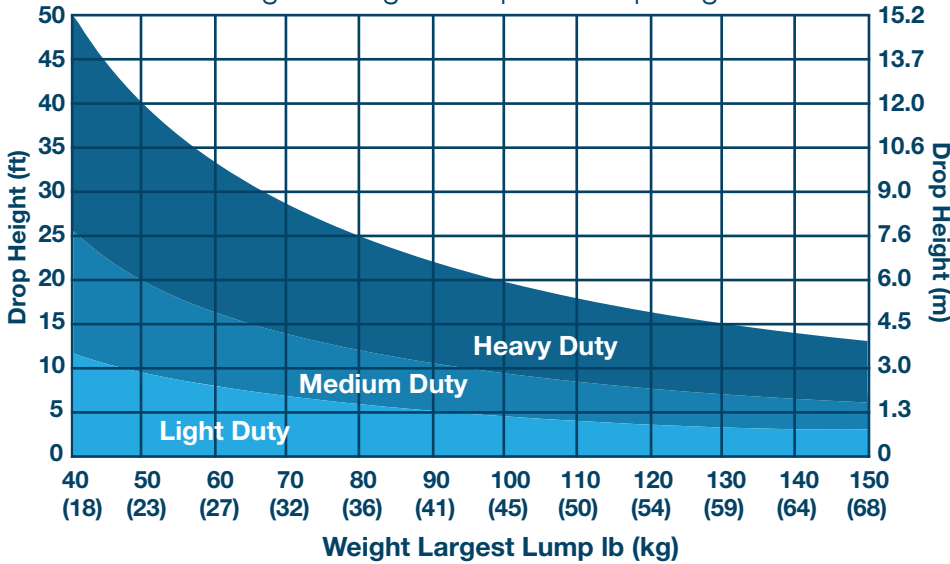
**Medium Duty**



**Heavy Duty**

### SYSTEM SELECTION GUIDE:

Determine weight of largest lump and drop height.



### CEMA STANDARD 575-2000

CodeRating		Light Duty	Medium Duty	Heavy Duty
Impact Force	(lbf.)	< 8,500	< 12,000	< 17,000
	(kN)	< 35	< 53	< 76
W x h (ref.)	lb.-ft.	< 200	< 1000	< 2000
	kg-m	< 28	< 138	< 277

### EVO HIGH-SPEED IMPACT CRADLE

Designed and engineered for high speed/high tonnage belts, EVO High Speed Impact Cradles provide belt support in transfer points where belt speeds exceed the operating limits of ordinary impact bar belt support cradles.



### EVO SLIDER CRADLE

Eliminates pinch points where trapped material can gouge or tear the belt and stabilizes the belt's path to improve sealing and tracking. Low-friction UHMW bars support belt edges to stabilize the belt line, eliminating belt sag and bounce. Proprietary "box" design allows each bar to be turned over to provide a second wear life.



### EVO UPGRADE:

Track-mounted to simplify installation and maintenance.

### MARTIN SLIDER CRADLE

Eliminates pinch points where trapped material can gouge or tear the belt and stabilizes the belt's path to improve sealing and tracking. The conveyor belt glides over its UHMW bars without heat buildup. Its unique "box bars" provide dual-wear surfaces for double wear life. Center rollers are recommended for applications where capacity is over 450 tph (408 MT/h). Order Support Roller Kit P/N 36725.





### EVO RETURN ROLLER

Sliding track-mount design reduces risk of injury and allows replacement to be done quickly and easily from a single side of the belt. Three piece hanger frame accommodates belt widths 24 to 72 inches. Universal bracket fits most idlers and belt widths.

### MARTIN IDLER CONVERSION KIT

Simple retrofit links two or more troughing idler frames, replacing the wing rollers with Martin Slider Bars. Utilizes existing idler frames and center rollers and conforms with idlers from a wide range of manufacturers.

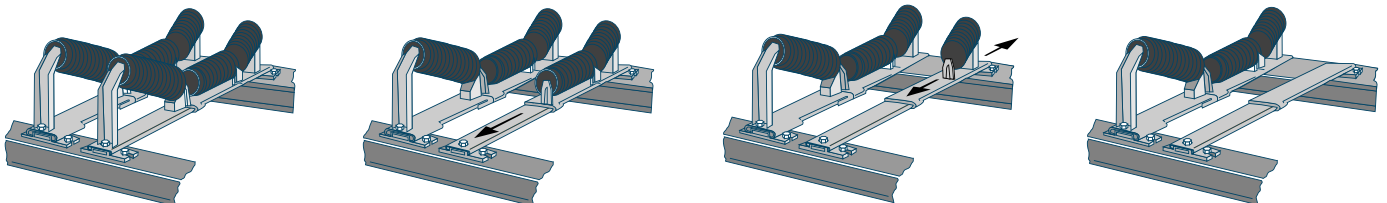
### MARTIN TRAC-MOUNT™ IDLERS

Idlers slide in and out of position without the need to raise the belt or move adjacent idlers to allow simple service. Clamp mounted to allow precision installation requiring only 8 inches (203 mm) of spacing. Mild steel or rubber rollers for CEMA Class B, C, D, or E.



Steel Rollers

Rubber Rollers



*Idler Removal: Simply remove one bolt and sliding roller frames will allow servicing without raising the belt or removing adjacent idlers.*



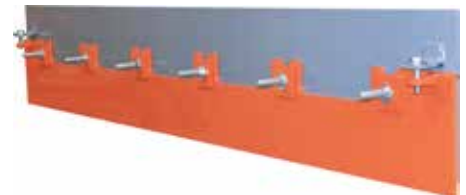
**EVO EXTERNAL WEAR LINER**

External wear liner is installed on the outside of the chute wall, simplifying wear liner inspection and replacement—both without confine space entry. Improves liner and skirtboard sealing system performance without adding additional conveyor construction cost. The chute wall can be trimmed to avoid material buildup.



**EVO EXTERNAL WEAR LINER RETROFIT**

Installed outside conveyor transfer point skirtboards, EVO External Wear Liner Retrofit Kit is an economical upgrade that improves skirtboard sealing and prevents spillage. It can be used on new installations or to upgrade systems utilizing Martin ApronSeal™. Wearliners can typically be installed without requiring work inside the chute or interfering with existing chute supports.



**MARTIN WEAR LINER**

Installed inside conveyor transfer point skirtboards, Martin Wear Liner creates a dam to shield the sealing system from the weight of the material load, prolonging the life of the seal. Straight wear liner is recommended in transfer points where impact or “bounce” of the material can lead to the entrapment of lumps between deflector liners and the chute wall. For ease of installation, Martin Wear Liner is available with pre-drilled and countersunk mounting holes.



**MARTIN APRONSEAL™ SKIRTING**

Provides dual-seal efficiency with a single, one-piece sealing strip for any troughing angle to prevent the escape of fines and dust.

ApronSeal Double Skirting uses a patented design that features a reversible elastomer strip to provide a second wear life. Optional quick-release clamps are available.

**Single Skirting**  
*(quick release clamps)*



**Standard-Duty**

**Heavy-Duty**

**Double Skirting**



### MARTIN SELF ADJUSTING SKIRTING

Self-adjusting skirting system rides the belt to create an effective seal automatically. Requires only six inches of clearance and only 1.5 inches free belt area for sealing. The “L” shaped system has an inward extension under the skirtboard to increase the range of tolerance for belt mistracking. Also available in Urethane XHD profile.



### SEALING SYSTEMS APPLICATION SELECTION GUIDE

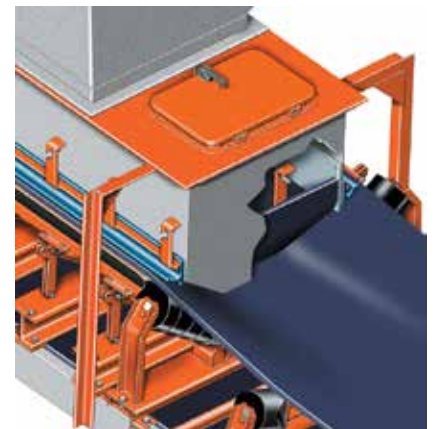
Belt Trough Angle

Free Belt Area in. (mm)	Belt Trough Angle											
	0	20	35	45	0	20	35	45	0	20	35	45
4.00 (102)												
3.75 (95)												
3.50 (89)												
3.25 (83)												
3.00 (76)												
2.50 (63)												
2.00 (51)												

Self-Adjusting Skirting
Standard ApronSeal
Heavy Duty ApronSeal

### MARTIN TAIL SEALING BOX

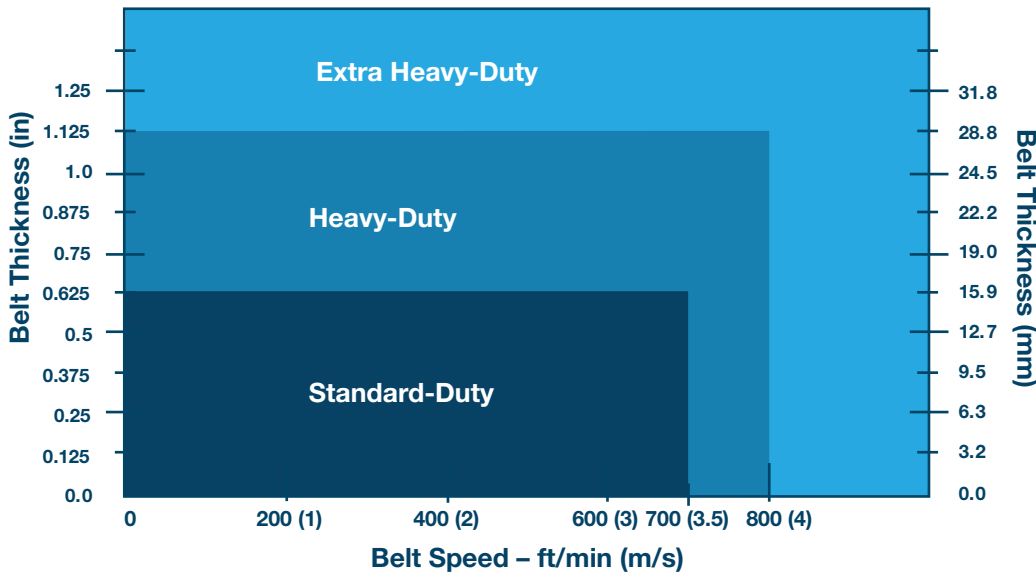
Forms an effective seal at entry point of transfer point loading zone to prevent material rollback off the conveyor. Keeps material on the belt and off the floor, protecting critical moving parts and components. Back seal clamps are mounted on the outside for ease of service, but the sealing strip lies on the inside for effective sealing.





### MARTIN TRACKER™

Provides immediate, powerful and continuous steering to correct a belt's path, preventing spillage, equipment damage and repairs. Systems for offset idlers are available. Three duty ratings available to meet material handling needs.



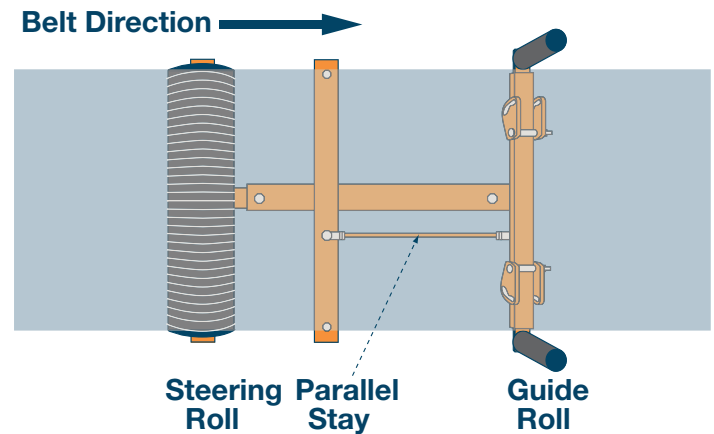
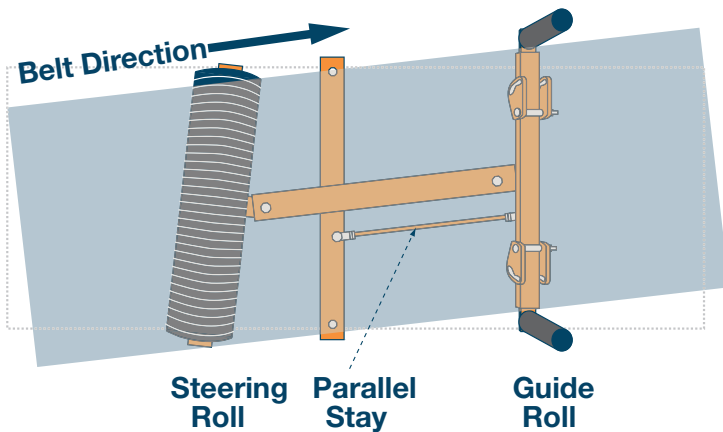
Upper Unit



Lower Unit

### HOW IT WORKS:

The MARTIN Tracker has four main sections: steering roll, torque arm, parallel stay, and guide rolls. As the belt contacts the guide rolls, the torque arm pivots the steering roll, causing the belt to track to the center of the conveyor structure.



## MARTIN REVERSING TRACKER™

Reversing Tracker™ features sensing rollers and lever arms on both sides of the unit. Available with stainless steel paddle wheel or air cylinder to activate the sensing rolls on the proper end of the unit.



## MARTIN IDLER ALIGNER

Provides a safe and effective method to manually fine tune self-adjusting idlers. Eliminates the need to tie off idlers to surrounding structure and allows workers to safely and conveniently make manual adjustments from outside of the stringer. Features a hole for padlock placement to restrict access. Installation is a one person job, requiring no measuring, cutting or heavy lifting.

## TAIL PULLEY PROTECTION

### MARTIN VPLOW XHD

Rugged, modular design with urethane side blades for longer wear and lower friction. Designed for 42 to 96 in. (1,000 to 2,400 mm) belt widths. Three piece frame construction simply bolts together for ease of assembly. Includes reversible mounts so the frame can be cut and installed between the stringers.



### MARTIN VPLOW HD

Economical solution for tail pulley protection in light to moderate-duty applications. Effectively removes material before the conveyor enters the tail pulley, with a simple yet secure mounting that protects both plow and pulley.





### MARTIN TORSION VFLOW

Mounted with self-adjusting torsion arm suspension, the Torsion VPlow maintains consistent pressure in front of the tail pulley. It rises and falls with fluctuations in belt tension and travel, for effective cleaning in all stages of blade wear, with easy to replace, bolt on rubber or urethane blades.



### MARTIN DURT DOZER™ PLOW

Installs on single direction belts on the conveyor's return side, just before the belt enters the tail pulley. Sits across the belt at a 45° angle, using its curved blade to remove material from the inside surface of a belt moving at speeds up to 700 fpm (3.5m/sec).



### MARTIN DIAGONAL PLOW

Prevents stray material from damaging the tail pulley, lagging or belting on reversing belts. Hung from brackets on both sides of the conveyor, the Diagonal Plow is engineered to float on the belt surface with pressure for cleaning, but without adding to belt tension or conveyor drive power requirements.

## EVO STRINGER SYSTEM

Stringers and cross members feature a unique “half-hex” design with components angled to resist material accumulation. This proprietary design is as strong as, and price-competitive with, traditional conveyor “C-Channel” structure. Stringers are predrilled for precision component positioning.



## EVO CHUTE WALL

Pre-engineered, pre-fabricated components make it easy to design and install transfer point skirtboards and stilling zones to manage air flow and control dust. Compatible with EVO External Wear Liner and Martin Belt Sealing.

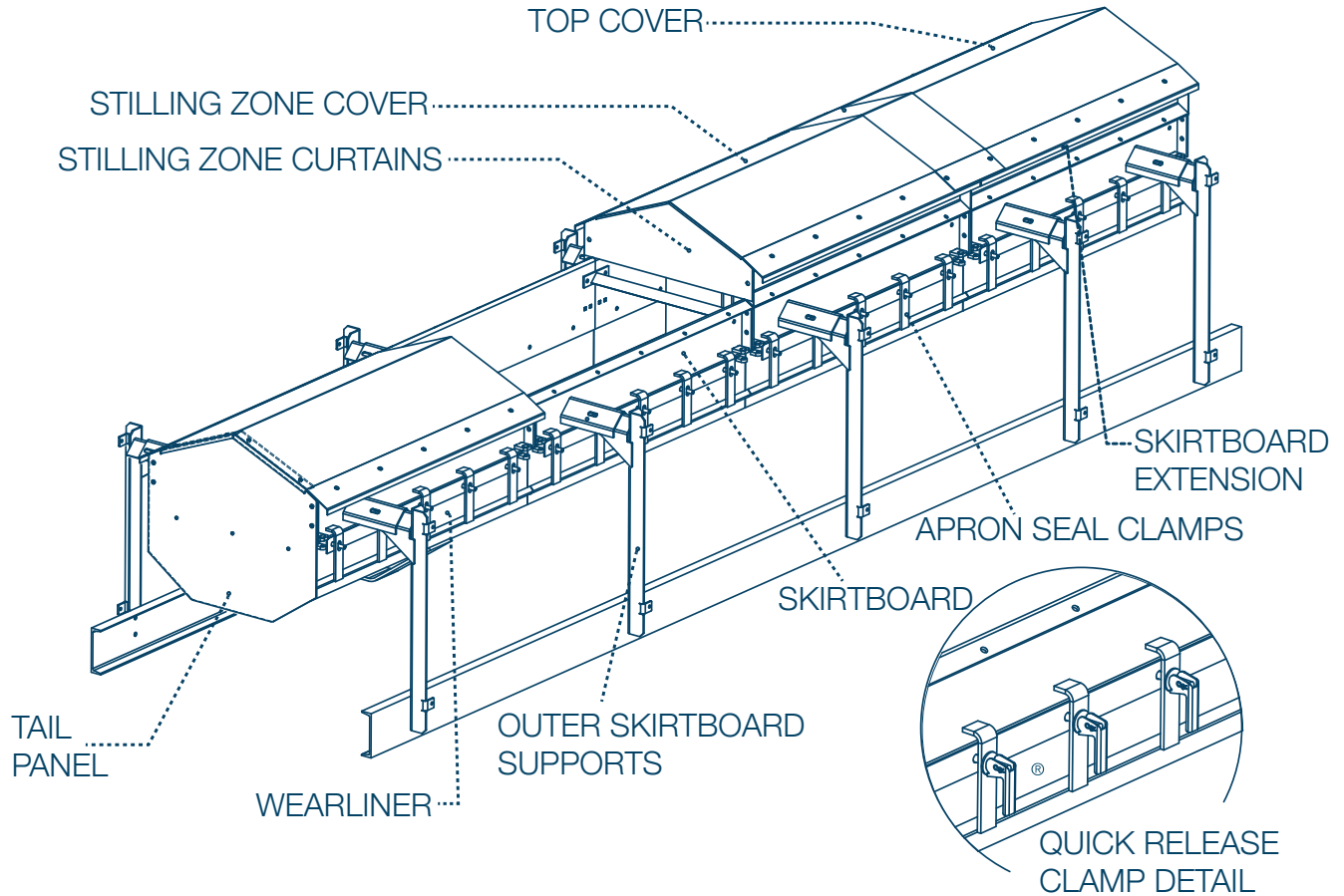
## EVO SKIRTBOARD COVER & CHUTE WALL

Keeps climatic conditions outside and airborne dust inside. Installs simply and reduces cleanup expenses and environmental problems by ‘shedding’ debris and material to a safe area away from moving parts. Easy removal allows inspection of material and belt movement.





## STILLING ZONE TRANSFER



**Contact Airmatic at 800.332.9770  
to discuss the best solution to meet your specific needs.**

## BELT SUPPORT

### EVO Combination Cradle

Cradle/Bars P/N	UCGGB
Cradle/Roller P/N	UCGBR
Flat Cradle P/N	31880
Picking Cradle P/N	37057
Roller Cradle Roller Kit P/N	UC-001670
Bar Material	Rubber/Urethane
Replacement Bar	UC-001630
Duty Rating	Medium

### Martin Impact Cradle HD

P/N	37357
Replacement Bar	36570
Standard Bar Length	24 in
Top Cover Material	UHMW

### Martin Impact Cradle LD & MD

Medium Duty- 4ft bars P/N	36318
Medium Duty- 5ft bars P/N	36516
Light Duty P/N	36010
Replacement Bar (Urethane/UHMW)	39102-4
Standard Bar Length	48 in.
Top Cover Material	UHMW

### Martin Trac-Mount Idlers

P/N	TMIXXP
Roller Options	Steel, Impact, Combination
Diameter Range	4 to 7 inches
CEMA Classes	A through E

### EVO Return Roller

P/N	UCRR
-----	------

### EVO Slider Cradle

P/N	UCGS
Bar Material	UHMW Polyethylene

### Martin Slider Cradle

P/N	36700
Replacement bars P/N	31275
Standard Bar Length	48 in.
Bar Material	UHMW Polyethylene

### Martin Idler Conversion Kit

P/N	37135
Bar Material	UHMW Polyethylene

### EVO High-Speed Roller Cradle

P/N	HSRC
-----	------

### EVO External Wear Liner

P/N	UC-003010
-----	-----------

### Martin ApronSeal Skirting

Sealing System Selection Guide	L3636
Single Skirting P/N	100724
Single Skirting HD P/N	100723
Double Skirting P/N	100873
Double Skirting HD P/N	100861
Material Durometer	60 or 70 (standard)
Continuous lengths	300 feet
Trough Range	0° to 45°
Clamp Options	standard, low-profile, heavy-duty, quick release

### Martin Self Adjusting Skirting HD

P/N	37911
Replacement Rubber P/N	37911-R
Continuous Lengths	100 feet
Min. belt edge requirement	1.25 inches

### Martin Self Adjusting Skirting HD

P/N	33268
-----	-------

## BELT ALIGNMENT

### Martin Tracker

Standard Duty P/N	TKR-(24-54)XS
Heavy Duty P/N	TKR-(36-72)XH
Extra Heavy Duty P/N	37249

### Martin Tracker Reversing

Upper P/N	34695
Lower P/N	34694

### Martin Idler Aligner

P/N	38654
-----	-------

## TAIL PULLEY PROTECTION

### Martin VPlow XHD

P/N	PLWVH
Max. Belt Speed	1000 fpm
Blade Material	Urethane

### Martin VPlow HD

P/N	31106
Replacement Blade P/N	31134
Max. Belt Speed	900 fpm
Blade Material	Rubber or Urethane

### Martin Torsion VPlow

P/N	28488
Rubber Blade P/N	28496
Urethane Blade P/N	28812
Max. Belt Speed	900 fpm
Blade Material	Rubber or Urethane

### Martin Diagonal Plow

P/N	22662
Rubber Blade P/N	24112
Urethane Blade P/N	25403
Max. Belt Speed	900 fpm
Blade Material	Rubber or Urethane

### Martin Durt Dozer Plow

P/N	33600
Replacement Blade P/N	33610
Max. Belt Speed	700 fpm
Blade Material	Rubber

## CHUTE STRUCTURE

### EVO Stringer System

Contact a representative for part number
--

### EVO Modular Chute Wall

P/N	UC-003000
-----	-----------

### EVO Skirtboard Cover

P/N	UC-00307
-----	----------

All components included for complete transfer point. Contact Martin for more details.

## SAFETY FIRST

### Martin Conveyor Guards

P/N	UCBG
-----	------

### Martin Inspection Doors

Rubber Door P/M	CYAR
Steel Door P/M	CYA
Round Steel Door P/M	CYARD
Ext-Hgt Steel Door P/M	CYAE



**AIRMATIC** founded in 1944, is a woman-owned Industrial Distributor, with installation and maintenance capabilities, offering equipment, machinery, and shop supplies to the Industrial, Construction, Utility, Government, and Commercial Markets. Our products and services are sold through three business units:

The **MATERIALS MANAGEMENT GROUP** provides products and services to industries that convey, store, transport, and process powders and bulk solids from aggregates, cement, and chemicals to foods, grains, metals, power generation, and waste water treatment applications;

The **SERVICE GROUP** provides fabrication, installation, and maintenance services to improve bulk materials handling efficiency; mechanical clean-out services for silos and hoppers to eliminate material flow problems; and shop repair/rebuilding and modifications services of products sold by the Company.

The **TOOL GROUP** provides power tools, personal protective equipment, materials-handling equipment, shop equipment and MRO supplies used for production, fabrication, assembly, metal removal, maintenance, and storage in manufacturing, construction, utility, and commercial applications. Our Customers tell us that by choosing **AIRMATIC** to solve their problems, they gain increased productivity, decreased costs, and a safer, cleaner work environment.

The logo for MARTIN ENGINEERING features the word "martin" in a bold, orange, lowercase sans-serif font with a registered trademark symbol (®).

**martin**®

**MARTIN ENGINEERING** is the leading global supplier of system to make the handling of bulk materials cleaner, safer, and more productive. Since its founding in 1944, the company has grown dramatically through the development of solutions to help the solids-handling industries around the world. MARTIN ENGINEERING's success can be attributed to the development of practical, field-proven, cost-effective answers for "real life" problems. MARTIN Products are designed for tough industrial conditions; they are built to allow easy maintenance; they are engineered for simplicity, cleanliness, safety, and efficiency; they are personalized to meet each customer's unique requirements.

## **AIRMATIC**

284 Three Tun Rd. Malvern, PA 19355

215.333.5600

[infocenter@airmatic.com](mailto:infocenter@airmatic.com)

[airmatic.com](http://airmatic.com)